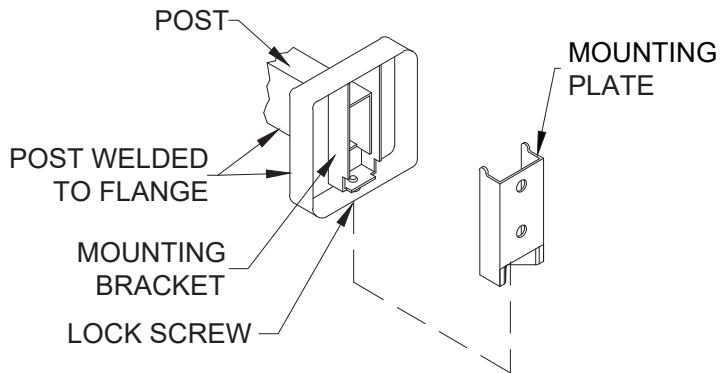
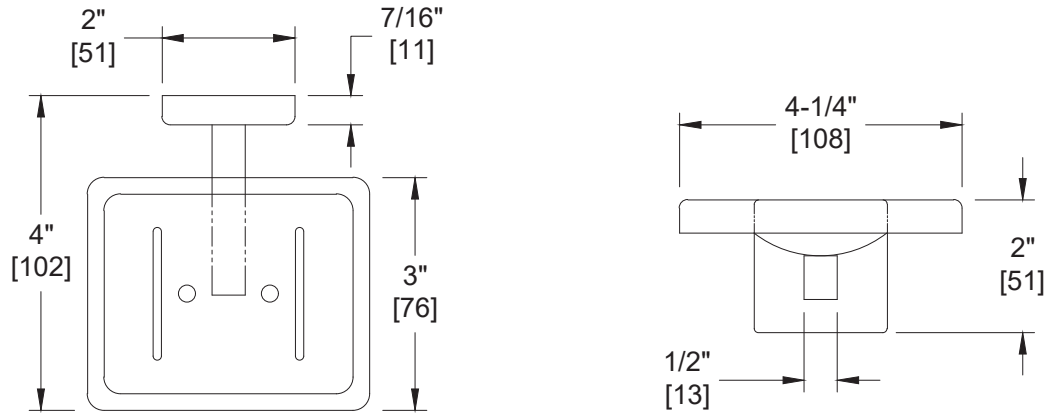


**Soap Dish – Surface Mounted, Satin**

Specialty Accessories

MasterFormat Section 10 28 13



**NOTE:**  
ALL DIM'S INCH [MM]  
ILLUSTRATION FOR REF ONLY AND NTS

**SUSTAINABILITY/LEED**

MR 4.1 (1) MR 6 (1) EQ 4.2 (1)  
MR 4.2 (1) EQ 4.1 (1) EQ 4.4 (1)

**PRODUCT OVERVIEW**

Drawn, one-piece stainless steel soap dish welded to support arm and flange. Has two drain holes and two ridges to support bar of soap. Model Option Notes: 7320-B – Bright finish 7320-S – Satin finish

**KEY FEATURES & SPECIFICATIONS**

- Type 304 Stainless Steel - Satin Finish
- Surface Mounted

**OPERATION & MAINTENANCE**

Soap dish has raised ribs to elevate soap slightly above dish surface to promote drying. Drain holes in bottom of dish allow excess water to drain away from soap.

**TECHNICAL INFORMATION / PRODUCT PROPERTIES**

Property	Value
Dimensions	4-1/4" [108] W x 2" [51] H x 4" [102] D
Construction	Type 304 Stainless Steel - Satin Finish
Mounting	Surface Mounted
Capacity	

**INSTALLATION**

Surface mount unit on wall using #10 self-threading screws (by others) through holes provided in mounting plates into suitable prepared mountings (by others) or other suitable mounting hardware (by others) to suit wall conditions. Hang post and flange assemblies on mounting plates and tighten setscrews to lock unit to plates. For compliance with ICC/ANSI A-117.1-2003 and 2010 ADA Accessibility Standards install unit with top of shelf 48" [1219] maximum Above Finished Floor (AFF) if clear floor forward reach or if clear floor side reach access only is provided or 46" [1168] max AFF if side reach access over an obstruction (e.g. vanity) with reach depth greater than 10" [254] and less than 25" [635] is only provided or 44" [1118] max AFF if forward reach over an obstruction (e.g. commode) with reach depth greater than 20" [508] and less than 25" [635] is only provided. For general utility install shelf with centerline of mounting plates at 68" [1727] AFF.

**ADDITIONAL INFORMATION**

N/A

**WARRANTY**

One (1) Year from date of Invoice